



Model: SG-WDS

SG-WDS Ozone Water Disinfection System

Features



Electrolysis technology

Only need water and electricity, no treatment chemicals necessary.



Tested and Approved

Tested by independent 3rd party laboratories including SGS



Instant Start

No waiting time, the SG-WDS automatically runs for your safety.



High Concentration 2ppm

Patented ozone storage system, industry-leading concentration.



Simple Installation

Easy installation into existing water supply.

Inspired by Nature

Turns tap water into an effective and safe sanitizer

Ozone Water Disinfection System (WDS) applies a revolutionary electrolysis technology that can **convert your regular tap water into an anti-bacterial sanitizing wash water**. The system is designed for easy integration into existing piping offering on-demand and instant sanitation from your tap water. It works to protect against pathogens **without using hazardous chemicals**.

This system is ideal for environments where there is a risk of microbial contamination like **HORECA, hospitals, clinics, nursing homes, office, public toilet, schools and kindergartens**.



99.99%

Removals Bacteria & Viruses

Pathogen control for E coli, Salmonella, Listeria and other common pathogens. Ozone offers a better and more **comprehensive solution than chloric(I) acid and other chlorine-based disinfectants**.



5 seconds

Achieve 99.99% sanitizer rate

Disinfection speed is **3000 times faster than chlorine**. Ozone is more friendly to the environment for disinfection than chemical disinfectants.



Safety

No matter how much you use

After disinfection, ozone reverts to oxygen **without changing the taste and texture of food and water**, and will not cause irritation to the skin. **Ozone eliminates concerns about accidental chemical sanitizer consumption**.

Focus Points

HORECA



Hospitals & Clinics



Schools & Kindergartens



Nursing Homes



Public Toilets



Work Spaces



Sustainable and Green!

Cartridge Life

- Up to 1 million liters, depending upon water quality and operation mode
- Indicator light shows cartridge status for easy maintenance

Warranty

- Limited warranty against defects in materials and workmanship for 1 year
- 1 year cartridge life
- Normal usage exclusions apply, detailed in Operation Manual

MSDS - The same as tap water

HEALTH	7	0
FLAMMABILITY	0	0
PHYSICAL HAZARD	0	0
PERSONAL PROTECTION	A	

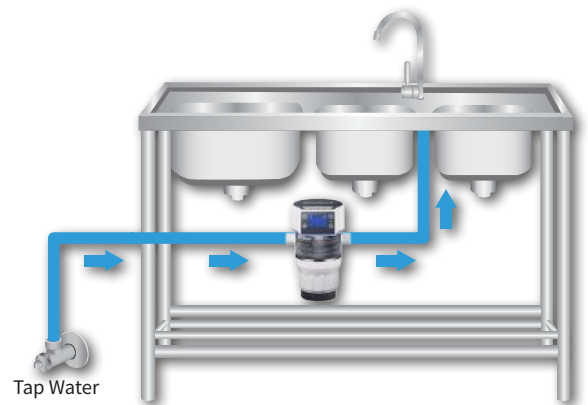


Specifications

Connection	3/4"
Concentration	Max. 2.0 ppm
Flow Rate (at 3 kg/cm ²)*	500 - 1000 LPH
Max. Pressure	7 kg/cm ² (100psi)
Power	AC 100-240V, 50/60Hz, 100W
Water Quality	Clean Tap Water**
Optimal Water Temperature	1-40°C (34-104°F)
Dimensions	128.5 x 140 x 210.5 mm
Weight (Net)	1.3 kg

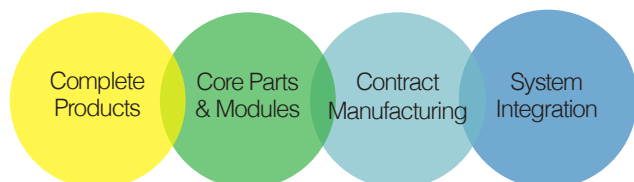
* Recommended flow for application ** TDS 60-300 mg/l, Hardness < 180 mg/l as CaCO₃
 Note: WDS does not replace water filtration. For best results, always connect WDS in the water supply behind the filtration system.


Typical Configuration



About Us

Since 1988, BES Group has been the global leader in electrolytic technology. Converting water to ultra pure ozone gas and hydrogen gas is our core technology. Series products include Food Safety & Sanitation, Healthy Environment, Clean Water, and Sanitation & Wellness. All products and components are tested for high performance, safety, and reliability with required certifications from government agencies and leading 3rd party labs.



USA 
BIOSURE North America, LLC.
 2020 Babcock Rd., Ste. 25
 San Antonio, Texas - USA
www.besgroups.com

China
Shanghai Zhongte Environmental Technology Co., LTD
 Room 308, Building D, 1058, South Shenbin Rd,
 Minhang, Shanghai 201106 China
www.besgroup.com.cn

Headquarters
Biotek Environmental Science Ltd.
 5F, 98 Xingde Rd, Sanchung Dist,
 New Taipei, 24158 Taiwan
www.besgroups.com



SINGAPORE

ProMedUSA Pte Ltd
 111 North Bridge Road
 #08-27 Peninsula Plaza
 Singapore 179098
Sales@promedusa.us
www.promedusa.us



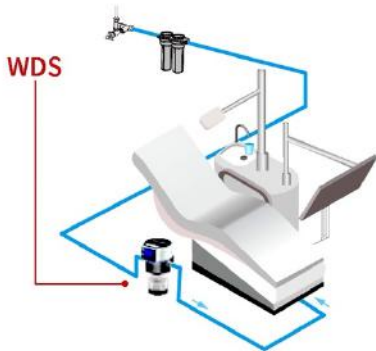
ProMedUSA SG-WDS

Simple installation

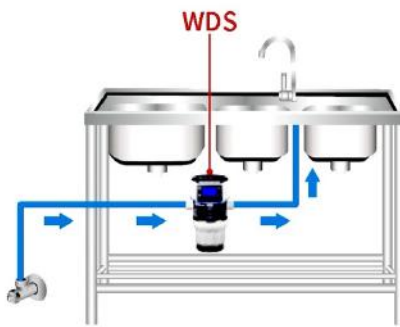


product only and variations may occur.

WDS Configuration Diagram



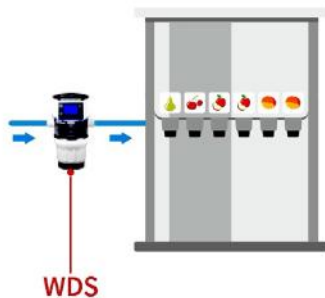
Dental Unit



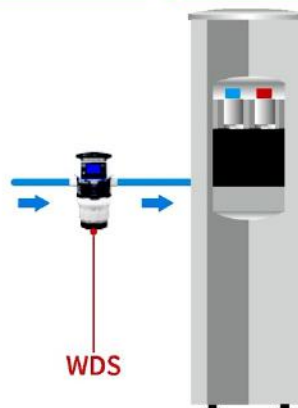
Faucet for Commerical Kitchen



Commerical Washing Machine



Beverage Dispenser



Water Dispenser