

# CD30nx

OZONE GENERATION SYSTEM



+ ProMED USA  
products that REALLY work.



RESIDENTIAL POOLS



BOTTLED WATER FILL LINES



AQUARIUMS



WATER FEATURES



COMMERCIAL POOLS



CD30nx Ozone Generator

## CD30nx APPLICATIONS:

- Waste Water
- Commercial Pools & Spas
- Residential Swimming Pools
- Potable Water
- Bottled Water Production Lines
- Aquariums
- Water Features
- Larger Volume Water Stores

**EarthSafe**  
TECHNOLOGY



NSF  
National Components  
Program Listed

## CD30nx

### Corona Discharge Ozone System

ClearWater Tech, LLC, the industries leader in mid range ozone generators, has revolutionized the industry again with the CD30nx, the next generation of ozone generators. The CD30nx is the most advanced ozone generator available today. With the industries first on-board System Information and Diagnostics (S.I.D.) LCD display, which provides a seamless user interface to control and monitor ozone production and system diagnostics, and can be displayed in various languages.

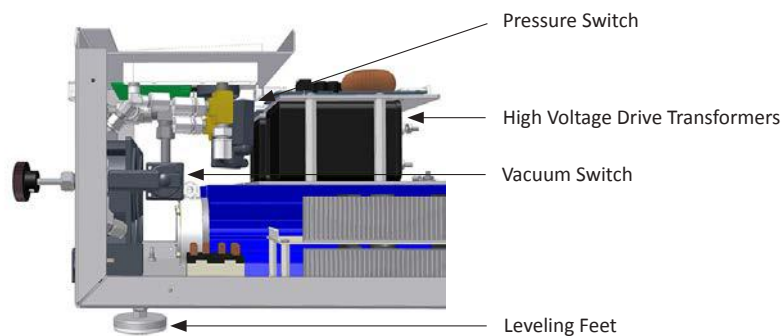
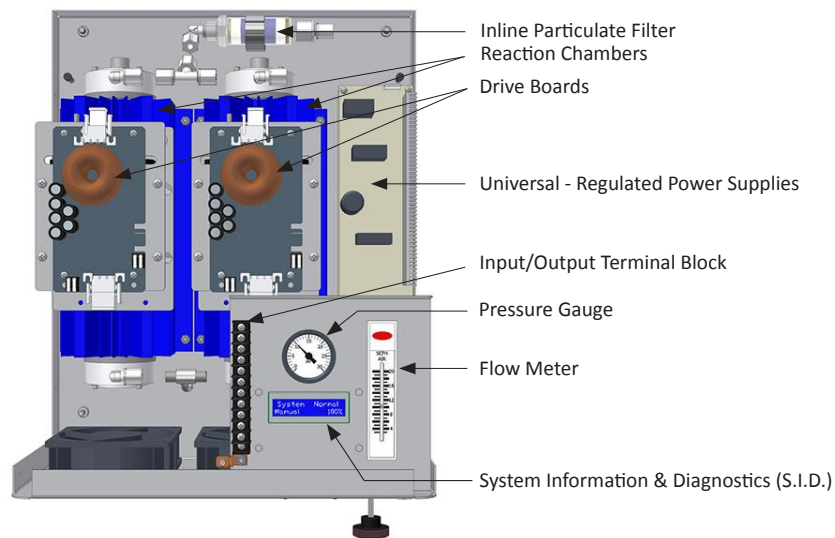
The CD30nx allows for universal power input and produces thirty grams per hour (30g/h) at five percent concentration by weight (5%), with oxygen feed gas. The new drive circuitry of the CD30nx utilizes CWT's Self-Resonating Technology (SRT), which allows the system to automatically adjust for pressure, flow, and other potential current variations to optimize ozone output and the systems electronic stability.

## CD30nx FEATURES:

- Compact, wall-mounted design
- System Information and Diagnostics (S.I.D.) LCD display
- Z-Bar mounting system
- Stainless steel enclosure
- Dual pressurized, user serviceable reaction chambers
- Built-in pressure gauge and feed gas flow meter
- Universal regulated power supply 90-250VAC 47-63HZ
- Self-Resonating Technology (SRT)
- Safety-- vacuum and pressure switch protected
- Thermal protection
- Auxiliary oxygen concentrator output control
- Manual ozone output control
- Remote 4-20mA ozone output control
- Proportional isolated 4-20mA output signal
- Programmable master alarm output for remote monitoring

## CD30nx Specifications

<b>Ozone Output:</b>	30 grams per hour @ 5% by weight @ 15 SCFH (oxygen) 16 grams per hour @ 2.5% by weight @ 20 SCFH (dry air)
<b>Feed Gas:</b>	Oxygen – 93% +/- 3% oxygen purity Dry-Air – 21% oxygen purity @ -60°F dew point
<b>Feed Gas Pressure:</b>	10 psi (0.69 bar)
<b>Safety Protection:</b>	Vacuum Switch, Pressure Switch, Thermal Switch, Fault Sensor, Fused
<b>Ozone Control:</b>	Manual Push Button 0-100% Remote 4-20mA 0-100% Input Signal (4mA=0%, 20mA=100%)
<b>Output Signal 4-20mA:</b>	Isolated 4-20mA proportional to Ozone Output, non-powered
<b>Master Alarm Signal:</b>	Normally Open Relay Contact – 100mA max
<b>Output Signal 24VDC:</b>	24VDC 300mA max output
<b>Auxiliary Switched Power:</b>	Power Output Dependent of System Main Power Input – 660 watts max
<b>External Loop:</b>	Dry-Contact Interface – Ozone Shutdown (volt-free contact)
<b>Ambient Operating Conditions:</b>	95° F (35° C) Max, 0-90% R.H. Non-Condensing, Continuous
<b>Power Rating:</b>	90-250VAC 47-63HZ, 3.3-1.2 Amps (unit only) Note: If an oxygen concentrator is powered by the CD30nx, add the current draw of both systems for total current draw
<b>Dimensions:</b>	21.0" h X 15.8" w X 9.8" d (533 h X 402 w X 249 d mm)
<b>Weight:</b>	39 pounds (17.6 kg)
<b>Display Languages:</b>	English, Spanish, French



Contact us for more information. We are your local authorised dealer.

**proMED** USA  
products that REALLY work.

116 Middle Road • #09-01E ICB Enterprise House • Singapore 188972  
Tel: (65) 6836-9665 • Email: sales@promedusa.us • www.promedusa.us